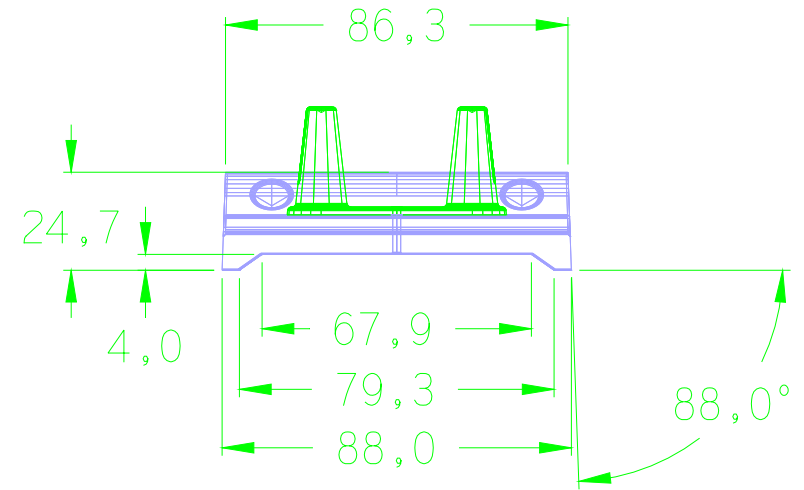
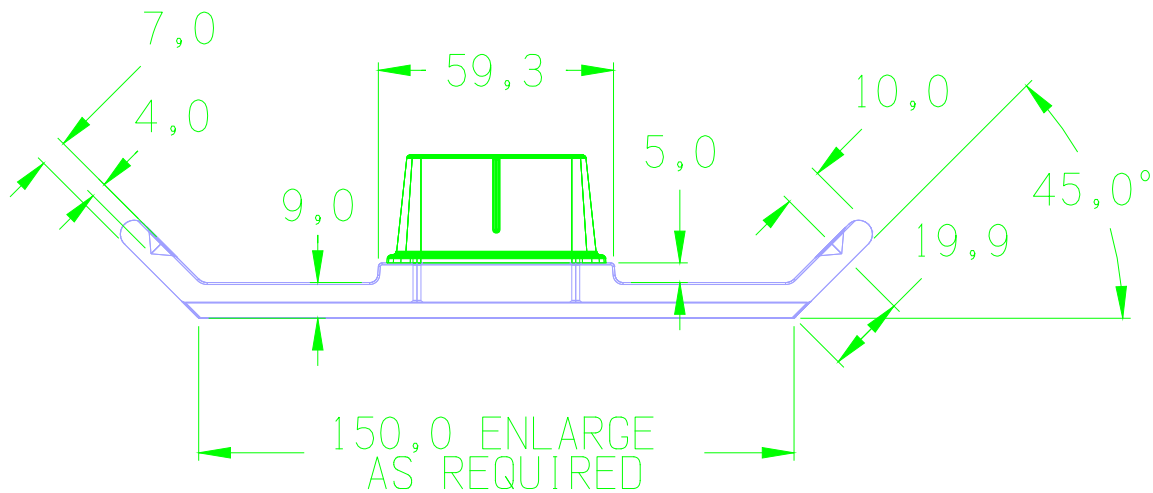
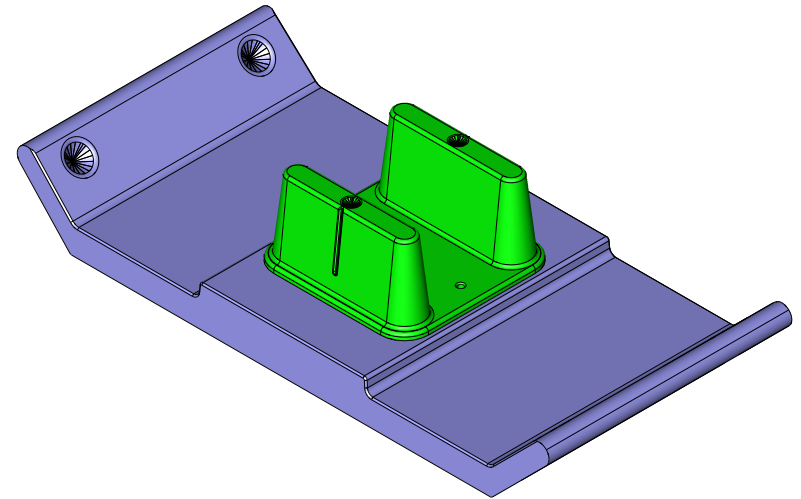


SEE SEPARATE DRAWING
FOR CENTRE LUGS
SHEET 2



DATE 01/04/20

SHEET 1 OF 4

OLFOUNDRYMAN FLASK SIDE
LENGTH 150